

RB03

豪华阻尼抽屉系列
Luxury soft-close drawer series



产品描述

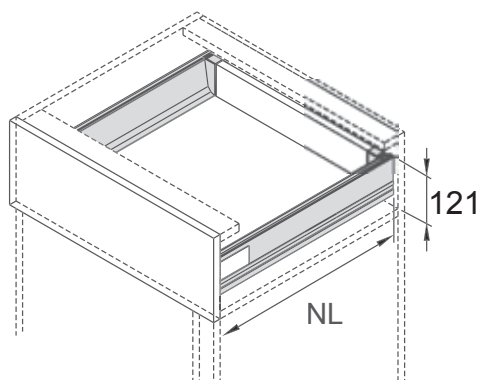
Product Description



侧板高度 121MM。
白色，木纹色供选择。
快速安装和拆卸，三维面板调节。
可选择用木背板或钢背板。
隐藏式全拉出静音滑轨，载重 40Kg。
全新设计的集成阻尼器，
抽屉关闭轻柔、顺滑而平稳。

121mm height of the side plate.
White and wood color drawer side.
Quick install and remove. 3D adjustment.
Wood or steel back panel is available.
Full-out and silent slides, 40kg load capacity, good longitudinal and lateral stability, super quiet and smooth slip.
Integrated Damper.
Gently touch, Balance closure.

	基本长度 basic length	订货号 Item no.
	10"/250mm	RB03-250
	12"/300mm	RB03-300
	14"/350mm	RB03-350
	16"/400mm	RB03-400
	18"/450mm	RB03-450
	20"/500mm	RB03-500
	22"/550mm	RB03-550



NL 标称长度 Nominal Length

空间需求

Space requirement



1. 集成式阻尼轨道 左/右
Guide left/right

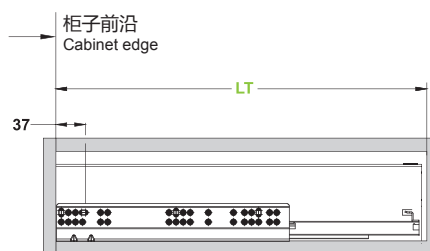
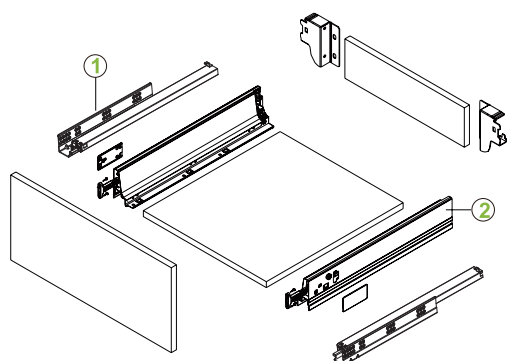


2. 抽屉邦和装饰盖 左/右
Drawer side and decorative left/right



D1-HJM-03

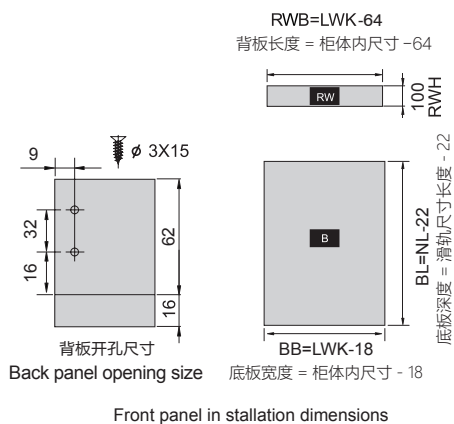
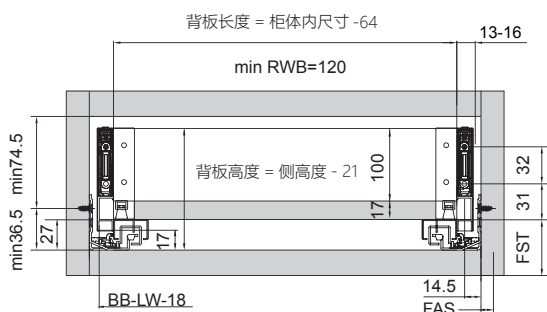
3. 后接码 左/右
Rear connector left/right



LT 柜子的内部深度 = 滑轨的标称长度 + 3
Internal cabinet depth = Nominal slide length + 3

滑轨安装尺寸 (mm)

Size for installation



安装孔距

Hole distance for installation

