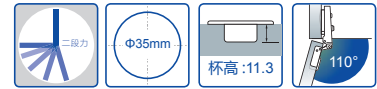


MH03

二段力铰链 (滑入式)

Concealed hinge series (slide-on)



产品描述

Product Description

开启角度: 110 度
 门可选用板厚度: 14-26 毫米
 面板尺寸 (K): 3-7 毫米
 铰杯高度: 11.3 毫米
 铰杯直径: 35 毫米
 铰杯两孔距离: 48 毫米

Open degree: 110° Range of doors thickness: 14-26mm
 Height of hinge cup: 11.3mm
 Diameter of hinge cup: 35mm
 Diameter of door (K): 3-7mm
 Distance of two hole center: 48mm

应用实例

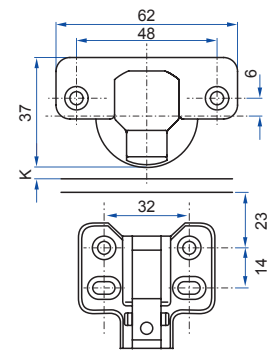
Applied Instance

H= 安装板高度
 K= 门板外线与铰链杯钻孔距离
 D= 侧板上所需盖位
 A= 门与侧板的间隙
 L= 面板内线侧边外线距离




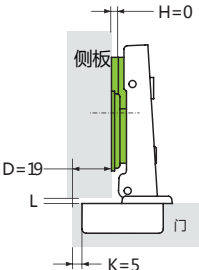
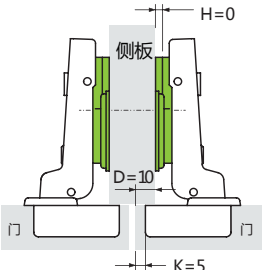
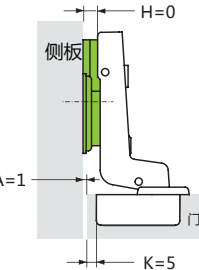
H=height of mounting plate
 K=drilling distance from the edge of door to the edge of the hole
 D=required door overlay
 A=gap between door and side panel
 L=length between inner and outer lines of door panel

安装尺寸

Installation Dimension



型号对照 Model Comparison

直臂 Full overlay (全盖门)	中曲 Half overlay (半盖门)	大曲 Insert (内嵌门)																																																																																																																					
订货号: MH0309 	订货号: MH0308 	订货号: MH0307 																																																																																																																					
																																																																																																																							
<table border="1"> <tr> <th rowspan="2">底板高度 H mm</th> <th colspan="5">铰杯距离 K mm</th> </tr> <tr> <th>3</th> <th>4</th> <th>5</th> <th>6</th> <th>7</th> </tr> <tr> <td>-2</td> <td>18</td> <td>19</td> <td>20</td> <td>21</td> <td>22</td> </tr> <tr> <td>0</td> <td>16</td> <td>17</td> <td>18</td> <td>19</td> <td>20</td> </tr> <tr> <td>2</td> <td>14</td> <td>15</td> <td>16</td> <td>15</td> <td>14</td> </tr> <tr> <td>4</td> <td>12</td> <td>13</td> <td>14</td> <td>15</td> <td>16</td> </tr> <tr> <td colspan="6" style="text-align: center;">铰链底座高度 H=14+K-D</td> </tr> </table>	底板高度 H mm	铰杯距离 K mm					3	4	5	6	7	-2	18	19	20	21	22	0	16	17	18	19	20	2	14	15	16	15	14	4	12	13	14	15	16	铰链底座高度 H=14+K-D						<table border="1"> <tr> <th rowspan="2">底板高度 H mm</th> <th colspan="5">铰杯距离 K mm</th> </tr> <tr> <th>3</th> <th>4</th> <th>5</th> <th>6</th> <th>7</th> </tr> <tr> <td>-2</td> <td>10</td> <td>11</td> <td>12</td> <td>13</td> <td>14</td> </tr> <tr> <td>0</td> <td>8</td> <td>9</td> <td>10</td> <td>11</td> <td>12</td> </tr> <tr> <td>2</td> <td>6</td> <td>7</td> <td>8</td> <td>9</td> <td>10</td> </tr> <tr> <td>4</td> <td>4</td> <td>5</td> <td>6</td> <td>7</td> <td>8</td> </tr> <tr> <td colspan="6" style="text-align: center;">铰链底座高度 H=14+K-D</td> </tr> </table>	底板高度 H mm	铰杯距离 K mm					3	4	5	6	7	-2	10	11	12	13	14	0	8	9	10	11	12	2	6	7	8	9	10	4	4	5	6	7	8	铰链底座高度 H=14+K-D						<table border="1"> <tr> <th rowspan="2">底板高度 H mm</th> <th colspan="5">铰杯距离 K mm</th> </tr> <tr> <th>3</th> <th>4</th> <th>5</th> <th>6</th> <th>7</th> </tr> <tr> <td>0</td> <td>-1</td> <td>-2</td> <td>-3</td> <td>-4</td> <td>-5</td> </tr> <tr> <td>0</td> <td>1</td> <td>0</td> <td>-1</td> <td>-2</td> <td>-3</td> </tr> <tr> <td>2</td> <td>3</td> <td>2</td> <td>1</td> <td>-1</td> <td>-2</td> </tr> <tr> <td colspan="6" style="text-align: center;">铰链底座高度 H=-2+K-A</td> </tr> </table>	底板高度 H mm	铰杯距离 K mm					3	4	5	6	7	0	-1	-2	-3	-4	-5	0	1	0	-1	-2	-3	2	3	2	1	-1	-2	铰链底座高度 H=-2+K-A					
底板高度 H mm		铰杯距离 K mm																																																																																																																					
	3	4	5	6	7																																																																																																																		
-2	18	19	20	21	22																																																																																																																		
0	16	17	18	19	20																																																																																																																		
2	14	15	16	15	14																																																																																																																		
4	12	13	14	15	16																																																																																																																		
铰链底座高度 H=14+K-D																																																																																																																							
底板高度 H mm	铰杯距离 K mm																																																																																																																						
	3	4	5	6	7																																																																																																																		
-2	10	11	12	13	14																																																																																																																		
0	8	9	10	11	12																																																																																																																		
2	6	7	8	9	10																																																																																																																		
4	4	5	6	7	8																																																																																																																		
铰链底座高度 H=14+K-D																																																																																																																							
底板高度 H mm	铰杯距离 K mm																																																																																																																						
	3	4	5	6	7																																																																																																																		
0	-1	-2	-3	-4	-5																																																																																																																		
0	1	0	-1	-2	-3																																																																																																																		
2	3	2	1	-1	-2																																																																																																																		
铰链底座高度 H=-2+K-A																																																																																																																							